

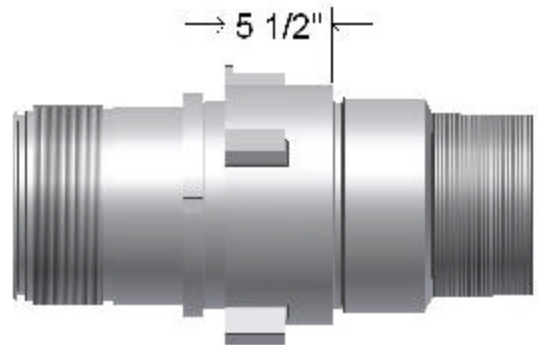


[Home](#) | [Catalog](#) | [Latest Products](#) | [From the President](#) | [Contacts](#) | [Need Quote?](#)

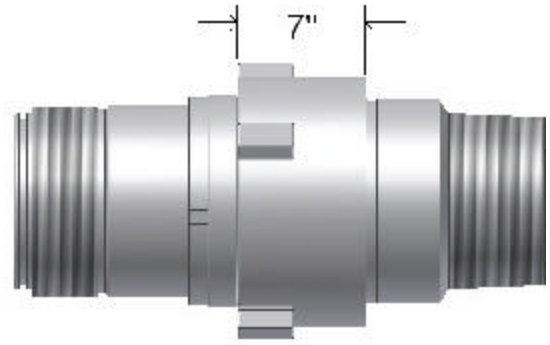


## *QUICK COUPLINGS*

Quick Coupling  
Conventional



**Quick Coupling**  
Extra High Pressure



**Identification of Conventional and Extra High-Pressure**

For identification purposes, IRI conventional and extra high-pressure (XHP) quick coupling nuts have different widths. Conventional quick coupling nuts are 5 1/2 inches wide and all XHP quick coupling nuts are 7 inches wide as shown in the image above.

**321 Series Design Parameters**

All of IRI's 321 series quick couplings are designed for exclusive use with our conventional cement heads. For safety reasons, the 321 series will not mate correctly with our extra high-pressure cement heads.

**321XH Series Design Parameters**

All of IRI's 321XH series quick couplings are designed for exclusive use with our extra high-pressure (XHP) cement heads. For safety reasons, as with the 321 series, the 321XH series will not mate correctly with our conventional cement heads.

| Quick Coupling Breakdown by Size |           |          |        |          |         |             |
|----------------------------------|-----------|----------|--------|----------|---------|-------------|
| Size                             | A         | B        | C      | D        | E       | Weight      |
| 4 1/2"                           | 17 15/16" | 7 11/16" | 3 3/4" | 6 1/2"   | 7 7/8"  | 56 lbs      |
| 5 1/2"                           | 18 3/8"   | 7 3/4"   | 4 1/4" | 6 3/8"   | 8 7/8"  | 67 lbs      |
| 7"                               | 21 1/8"   | 8 1/2"   | 5 1/4" | 7 13/16" | 11 1/4" | 124 1/2 lbs |
| 7 5/8"                           | 21 15/16" | 8 7/8"   | 5 1/4" | 7 13/16" | 11 1/4" | 124 1/2 lbs |
| 8 5/8"                           | 22"       | 8 7/8"   | 5 1/4" | 7 7/8"   | 12 3/4" | 155 lbs     |
| 9 5/8"                           | 22"       | 8 7/8"   | 5 1/4" | 7 7/8"   | 13 3/4" | 170 lbs     |
| 10 3/4"                          | 22 1/8"   | 9"       | 5 1/4" | 7 7/8"   | 14 7/8" | 183 1/2 lbs |
| 13 3/8"                          | 22 1/2"   | 9"       | 5 1/4" | 7 7/8"   | 17 1/2" | 232 1/2 lbs |
| 16"                              | 23 3/16"  | 9 1/2"   | 5 1/4" | 8 7/18"  | 20"     | 344 1/2 lbs |
| 20"                              | 22 7/8"   | 9 9/16"  | 5 1/4" | 8 1/16"  | 23 7/8" | 355 1/2 lbs |

On this page we have included sizes and part numbers for ease of quoting for you, the customer!

| <b>Quick Coupling<br/>for Cement Heads</b> |                           |
|--|---------------------------|
| <b><i>Quick Coupling Sizes</i></b>         | <b><i>Part Number</i></b> |
| 2 3/8"                                     | 321-0023                  |
| 2 7/8"                                     | 321-0027                  |
| 3 1/2"                                     | 321-0034                  |
| 4 1/2"                                     | 321-0044                  |
| 5 1/2"                                     | 321-0054                  |
| 6 5/8"                                     | 321-0065                  |
| 7"   | 321-0070                  |
| 7 5/8"                                     | 321-0075                  |
| 8 5/8"                                     | 321-0085                  |
| 9 5/8"                                     | 321-0095                  |
| 10 3/4"                                    | 321-0106                  |
| 11 3/4"                                    | 321-0116                  |
| 12 3/4"                                    | 321-0126                  |
| 13 3/8"                                    | 321-0133                  |
| 16"  | 321-0160                  |
| 18 5/8"                                    | 321-0185                  |
| 20"  | 321-0200                  |